

Wifi Foot Dimmer

Item No. CFG-C05

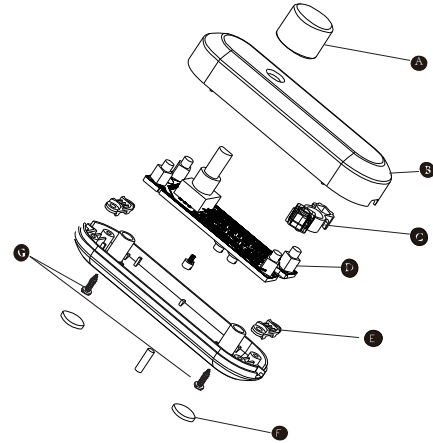


The Smart Wi-Fi dimmer is powered by Tuya platform with excellent compatibility to most Dimmable LED lamps also works perfectly with halogen or electronic transformer and incandescent lighting. Possibility of wireless voice control via Alexa or Google home.

1. Technical data

Rated Voltage	220-240V ~ 50Hz	
Controls	Rotary	
Dimming Technology	Trailing Edge	
Control Mode	One Way	
Support load type	Dimmable LEDs 5-50VA	
	Incandescent	5-100W
	Halogen	5-100W
Protocol	Wifi	
Operating Temp.	-20 °C-40°C	
Dimension	96.7*30.4*39.4mm	

2. Installation



1. Unscrew the closing screws G
2. Take out the front cover B and the knob A
3. Take off the terminal fittings C then unscrew the cord anchorage D
4. Release the cable locker E, strip the cable to be connected
5. Connect supply cable to the terminals L and N of the electronic board.
6. Connect lamp cable to the terminal identified by symbol of the electronic board, lock the cable.
7. Put the terminal fittings back.
8. Mount front B and back, screwing the screws G.
9. Stick the non-slip stickers

3. How to connect the device with Tuya app.

Download the Tuya Smart App from App store or Google Play Store. After installation please power up the dimmer by short press the knob.

Method 1:

1. Press and hold the reset button for over 5s until the red indicator starts to quick flashing.
(If the indicator light is slow flashing please re-press the reset button until quick flashing happens)
3. choose "lighting" and tab "lighting(wifi)" and follow the instructions.
- 4.3. Open the Tuya app and press the "+" symbol on the upper right corner of the screen. Select EZ mode and follow the instruction.

Method 2:

The indicator will stop flashing when the pairing is successful and the operation display will be shown on the display.

1. Press and hold the reset button for over 5s until the red indicator starts to quick flashing, and press again until slow flashing.
2. choose "lighting" and tab "lighting(wifi)" and follow the instructions.
3. Open the Tuya app and press the "+" symbol on the upper right corner of the screen. Select AP mode and follow the instruction.

