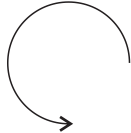


# DALI MCU digital rotary dimmer

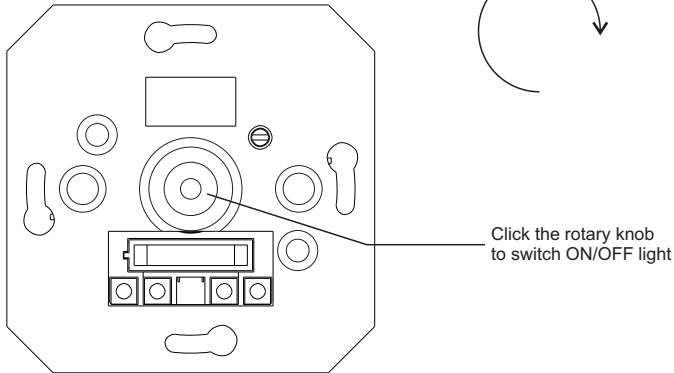
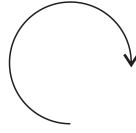
**Important:** Read All Instructions Prior to Installation

## Function introduction

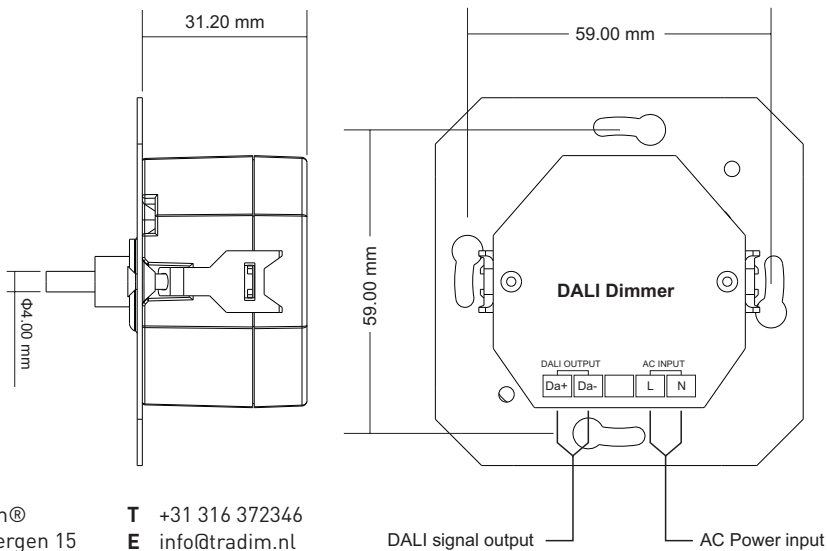
Rotate the knob counterclockwise to decrease light intensity from 100% to 1%.



Rotate the knob clockwise to increase light intensity from 1% to 100%.



Front side



Back side

Tradim®  
Aalsbergen 15  
6942 SE Didam  
The Netherlands

T +31 316 372346  
E info@tradim.nl  
I www.tradim.nl

Tradim® is a brand of Traditech BV

## Warranty

The manufacturer is not liable for unintended use or faulty installation of the product. The warranty period is valid for 2 years after purchase date. Please save your receipt to claim the warranty.

## Product Data

Designation	DALI MCU
Power connection	L, N AC mains
Operating voaltage	100-240V AC
Power consumption	2.3W max.
DALI connection	Da+/Da-, max. 300m cable length, DALI power supply output current max 100mA.
Perm. Cable cross-section	1...4 mm <sup>2</sup>
Ambient temperature	0...+50 °C
Type of protection	IP 20
Protection class	II



2063EXOP DALI

- Each control circuit can supply DALI power for as many as 100 DALI devices
- The lighting system responds immediately and harmoniously when the brightness level is changed at either of the control devices.
- All that while allowing for the required comfortable, easy and complete control over the lighting levels at any time.
- Innovative Function to Power DALI Bus While Connected to AC Mains
- Powered by DALI Bus while not Connected to AC Mains

## Safety & Warnings

- DO NOT install with power applied to device.
- DO NOT expose the device to moisture.

## Operation

This device is a DALI MCU with built-in DALI bus power supply which can power DALI bus while connected with 100-240VAC mains. It also can be powered by DALI bus while not connected with AC mains.

**There can be up to only 2 MCUs connect to AC 220V mains, the other MCUs powered by DALI bus.**

Each control circuit simultaneously affords the integration of as many as 200 DALI ECG and of up to 4 DALI MCU control devices (control points).

### Switch ON/OFF

Click the rotary knob to switch ON/OFF light.

### Increase/Decrease Light Intensity

Rotate the knob clockwise to increase light intensity from 0% to 100%, rotate the knob counterclockwise to decrease light intensity from 100% to 0%.

### Set the minimum brightness value

Press and hold down the knob over 5 seconds until the light flashes, to set the current brightness value as the minimum brightness value for dimming, it is dimmable from this minimum brightness value to 100%.

### Delete the minimum brightness value setting

Click the knob to switch off the light first, then press and hold down the knob over 5 seconds until the light flashes, the minimum brightness value will be deleted. It is dimmable from 0% to 100% then.

## Wiring diagram

Figure 1: Wiring scheme with 2 MCUs powered by AC mains to control up to 200 DALI ECG

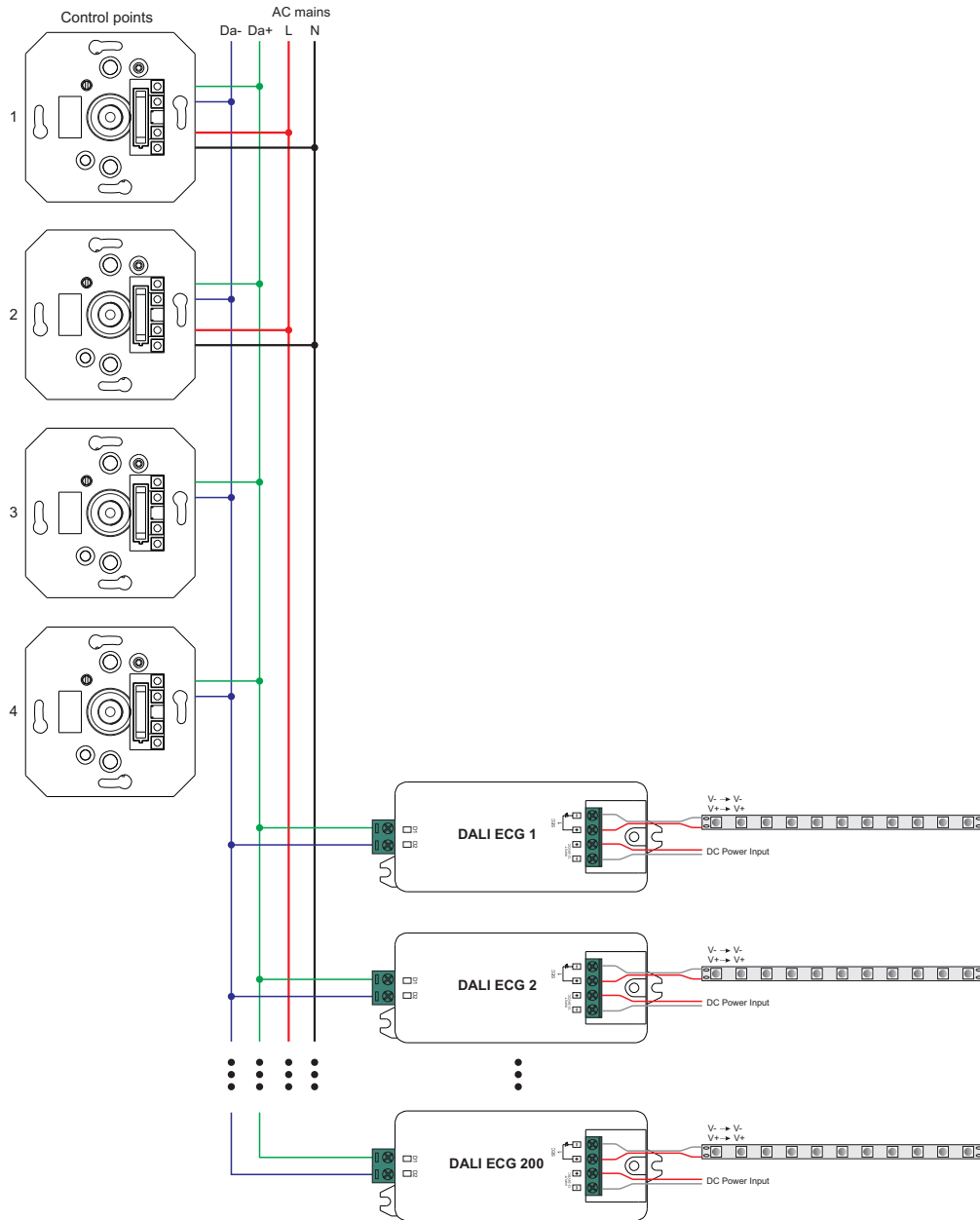
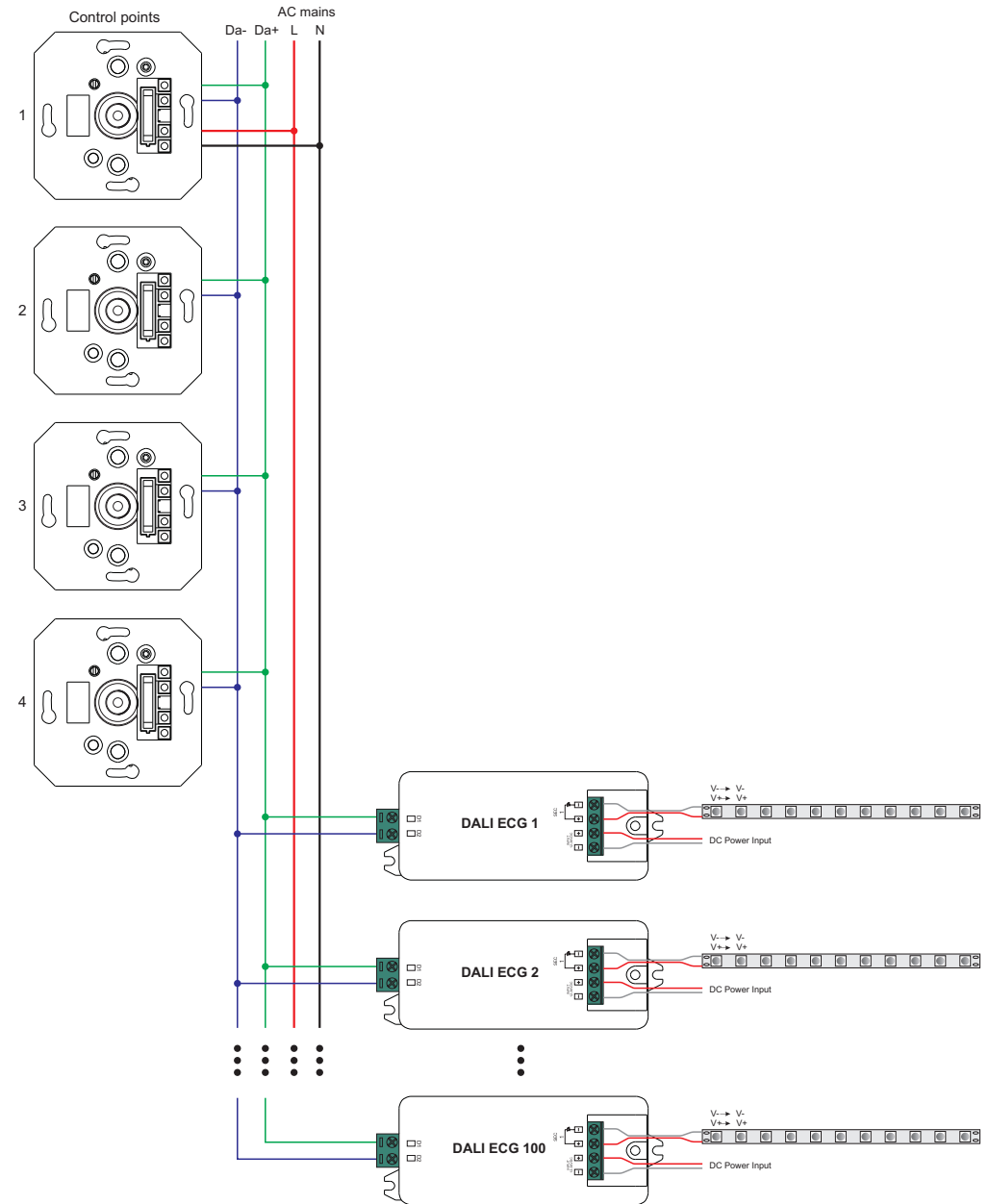


Figure 2: Wiring scheme to control up to 100 DALI ECG



1. To control up to 200 ECG with the setup (Figure 1), there is 2 MCUs connect to AC 220V mains.

2. To connect up to 100 ECG with the setup (Figure 2), there is only 1 MCU connect to AC 220V mains, the other MCUs powered by DALI bus. There can be max 2 MCUs connected to the AC mains in the same control circuit. It's suggested to have max 4 MCUs totally in the same control circuit.